



## GSM/UMTS/LTE ANTENNA

Antenna GSM/UMTS/LTE FLAT  
Stick 690-2700 MHz, 3 dBi, IP68,  
SMA(m)

AO-ALTE-SMA5

SECTRON company offers wide portfolio GSM/UMTS/LTE antennas with various versions differing in shape, level of gain or attachment manner. SECTRON guarantees compatible connection between antenna and all antenna adaptors produced by SECTRON.



### BENEFITS

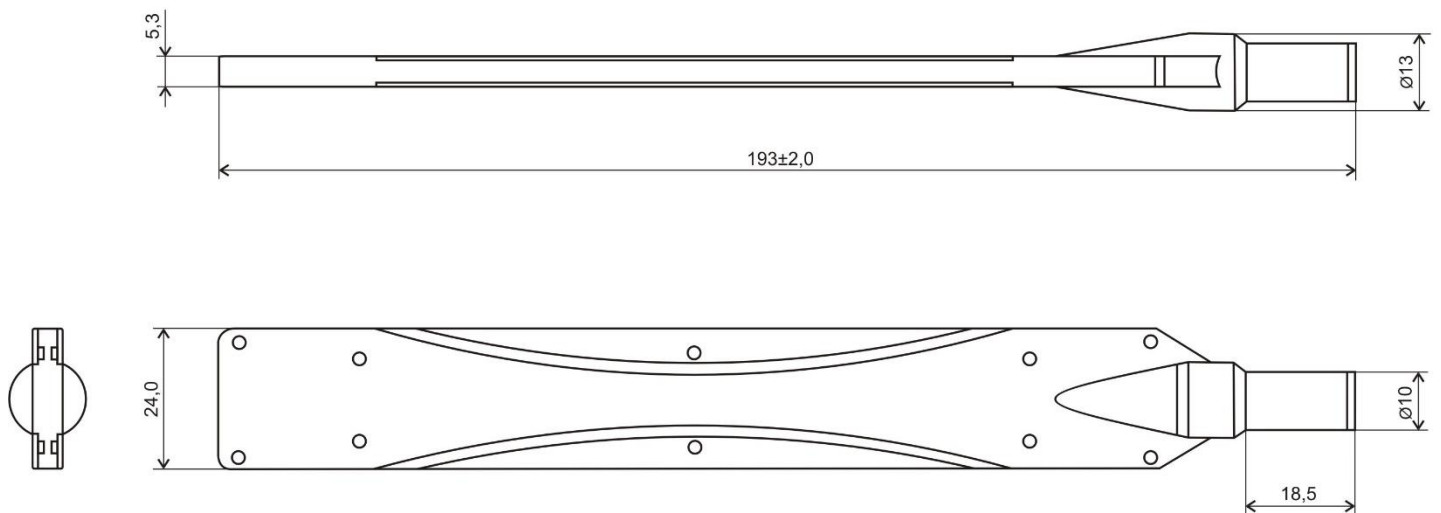
- Easy installation
- No cable required
- High frequency range
- IP 68

## FEATURES

AO-ALTE-SMA5

Technology	GSM/UMTS/LTE
Frequency bands	800/900/1800/1900/2100/2600 MHz
Bandwidth	-
Gain	3 dBi
VSWR	<2.0:1
Impedance	50 Ohm
Directivity	Omnidirectional
Beam angle	H 360° V 30°
Polarization	Linear
Maximum input power	10 W
Power voltage	-
Dimensions	24 x 193 mm
Weight	28 g
Operating temperature	-30 to +80 °C
Execution	External
Method of attachment	Screw
Cable type	-
The cable length	-
Connector type	SMA(m)
IP Code	IP68

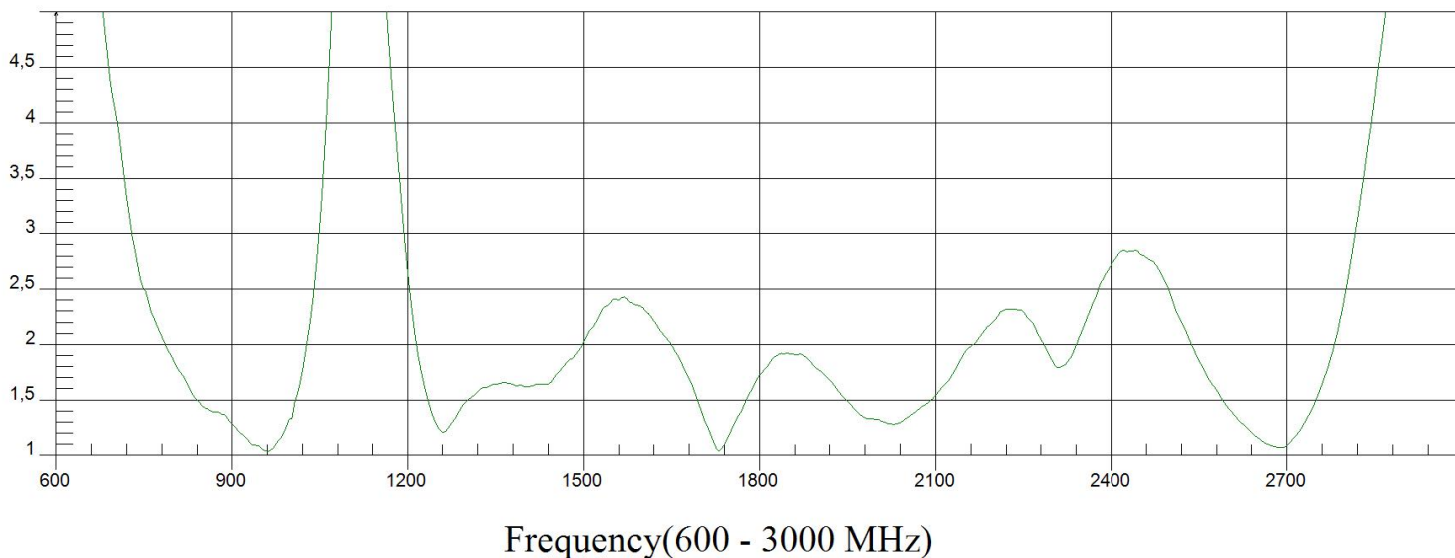
## DRAWING



UNIT: mm

Frequency [MHz]	Peak gain [dBi]	VSWR 50 Ω
698-960	0	<2:1
1710-2170	1,5	
2300-2700	3	

VSWR  
AO-ALTE-SMA5



CONTACTS

SECTRON s.r.o. Josefa Šavla 1271/12  
709 00 Ostrava 9 Czech Republic

WWW.SECTRON.CZ  
Tel.: +420 556 621 021